

Biodrier

3D SmartDry

Hand Dryer

Automatic
High Speed
Intelligent

Biodrier.com

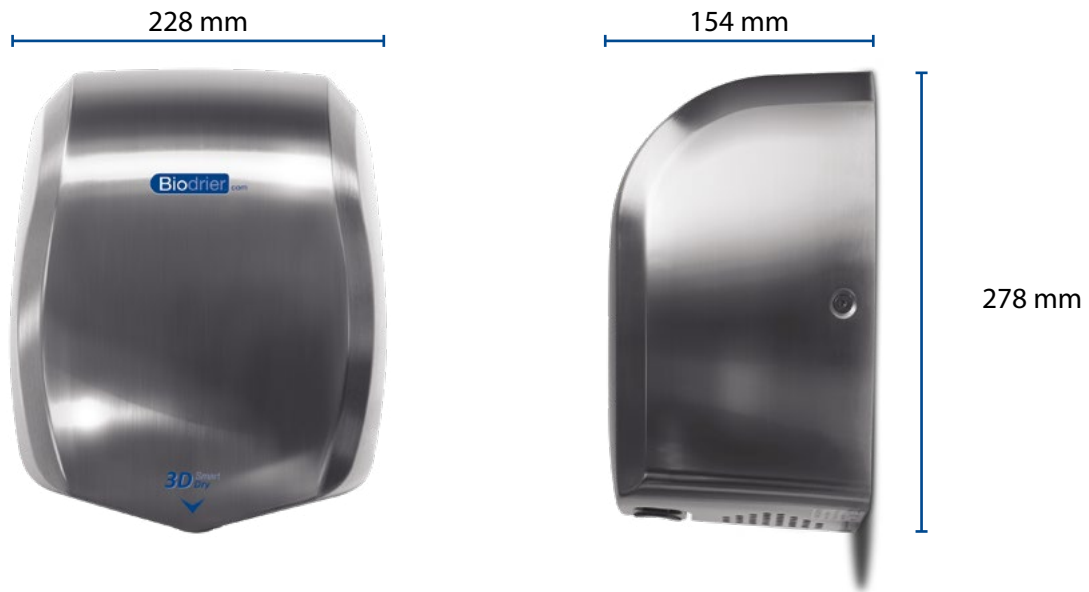
3D Smart
Dry



USER MANUAL

Surface Mounted High Speed Hand Dryer

Operating Instructions and Parts Manual (Automatic)



Technical Specifications

Item Category	Performance Data
Operating Voltage	220 - 240Vac, 50Hz, 200 - 800 WATTS
Air Speed Output	75m/s, 85 m ³ /h
Air Output Temperature	Intelligent - based on room temperature
Motor Type	18,000 rpm, 200 Watts, BLDC brushless DC motor
Decibel Rating	65 dba @ 1 mtr
Heater Element	0-600 Watts - Intelligent Heating
Heater Thermal Protection	Auto Resetting Thermostat turns unit off at, 149°F (95°C)
Drying Time	Under 10 seconds
Circuit Operation	Infrared Automatic, self adjusting
Sensor Range	100 mm
Timing Protection	25 seconds auto shut off
Drip Proof	IPX2
Isolation	CLASS I
Net Weight	3.3 kg
Shipping Weight	15.7 kg
Unit Size	W 228 x H 278 x D 154 mm
Certificates	CE, WEEE, Greenspec
Item Code	Cover Type/Finish
HD-BSD60K-BS	Brushed Stainless Steel

Surface Mounted High Speed Hand Dryer

Operating Instructions and Parts Manual (Automatic)

Introduction

This manual provides detailed instructions for the installation of a hand dryer. Please read all instructions carefully before beginning the installation process.

General Safety Information

WARNING

This product is designed to be installed by a qualified technician. For wiring, use AWAG No.16 solid conductors.

Failure to properly ground the unit may lead to electric shock or even fatality.

Ensure that power is safely disconnected at the service breaker before commencing installation or maintenance.

All units require a 3-wire service connection. The grounding wire must be securely connected to the dryer's back plate.

NOT INTENDED FOR RESIDENTIAL USE. MISUSE OF THE HAND DRYER MAY CAUSE BURNS

Note: Do not install hand dryer within a zone 2 of electrical washroom regulations. Hand dryer must be installed at least 600mm from a washbasin or sink.

Type Y attachment.

If the power supply cord is damaged, it must be replaced by a qualified person.

Means for disconnection must be in accordance with wiring regulations.

Installation

Installation must be performed by a competent certified electrician.

1. Make sure power supply breaker is safely isolated/turned off. The installation should comply with the latest version of the electrical regulations. Only a qualified electrician should carry out the installation.

IMPORTANT: When installing multiple dryers, maintain a minimum distance of 24 inches (610 mm) between the units.

2. Connect the supply wires to the designated terminal block and attach the ground wire to the baseplate using the ground screw.

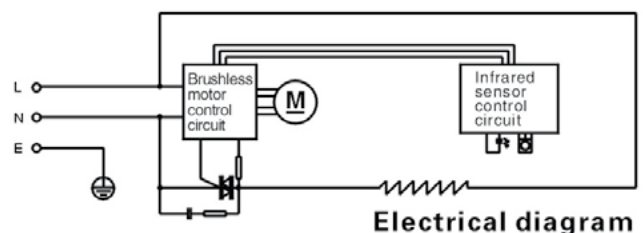
Wiring Instructions:

a. Attach the live wire (red or brown) to the terminal block labelled "L".

b. Attach the neutral wire (black or blue) to the terminal block labelled "N".

c. Attach the ground wire (green or green/yellow) to the green screw marked "E".

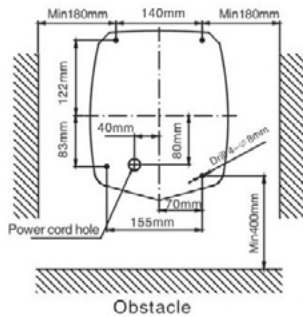
Please note that the colour coding of live and neutral wires may vary based on the age of the supply service.



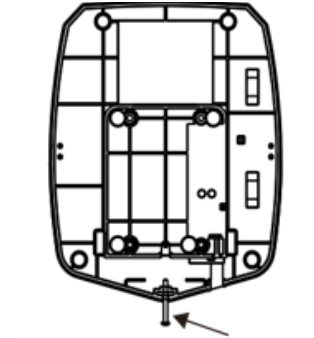
Surface Mounted High Speed Hand Dryer

Operating Instructions and Parts Manual (Automatic)

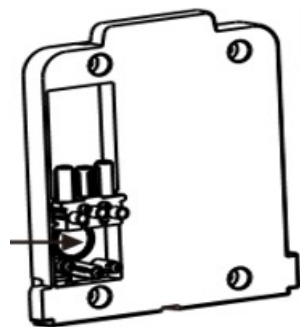
Standard Installation



1. Use the template provided to mark the 4 fixing holes on the hand dryer base, then drill holes at the marked locations using an appropriate drill bit for the screws or anchors.



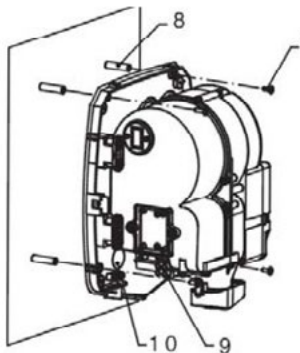
2. Loosen the base holding screw and take off the plug & play wall bracket.



3. Remove the wiring cover from the wall bracket and connect the electrical wires to the corresponding terminal then reattach the wiring cover.

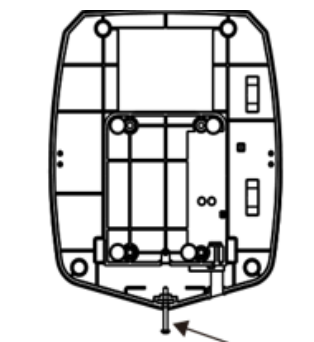


4. Use the Allen key provided to remove the screws on both sides of the hand dryer and remove the cover.



5. Secure the base to the wall and reattach the cover.

- 7. Screw
- 8. Plug
- 9. Wire terminal
- 10. Wire inlet

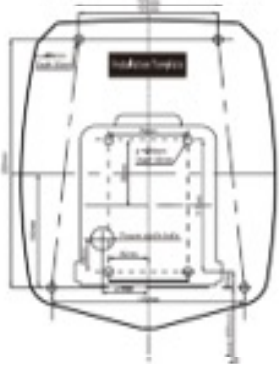


6. Tighten the holding screw to secure the installation.

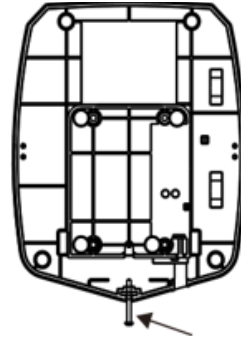
Surface Mounted High Speed Hand Dryer

Operating Instructions and Parts Manual (Automatic)

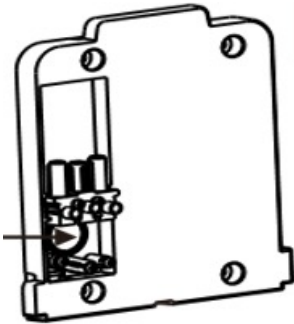
Plug and Play Installation



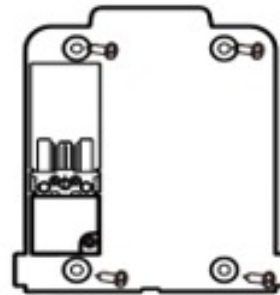
1. Use the template provided to identify the fixing holes on the wall bracket, then drill holes at the marked locations using an appropriate drill bit for the screws or anchors.



2. Loosen the base holding screw to remove the plug & play wall bracket.



3. Remove the wire cover from the wall bracket and connect the electrical wires to the corresponding terminal then reattach the wiring cover.

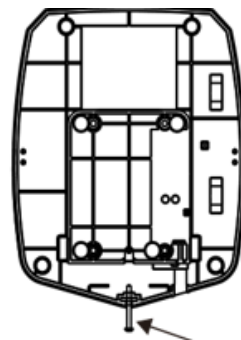


4. Secure the wall bracket to the wall using the appropriate fixings.



5. Slightly tilt the hand dryer base and position it into the guiding grooves of the wall bracket.

6. Carefully bring the hand dryer closer to the wall and slide it into the wall bracket.



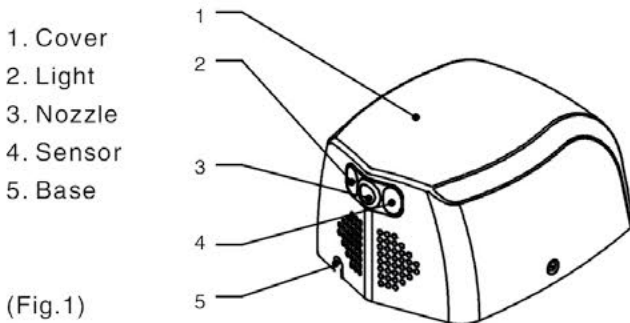
7. Tighten the holding screw to secure the installation.

*For uneven surfaces or added support use hand dryer base fixings.

Surface Mounted High Speed Hand Dryer

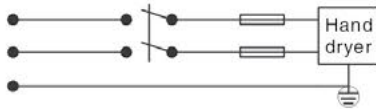
Operating Instructions and Parts Manual (Automatic)

Installation Continued

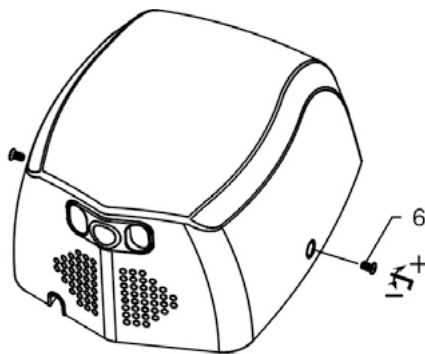


(Fig.1)

- Before connecting to the main power install a secondary switch with a contact distance of > 3 mm.
- This hand dryer must be earthed correctly.
- Do not install near water or in areas with high humidity
- Ensure power is cut off before installation



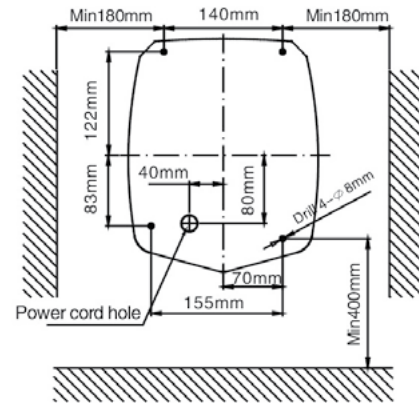
1. Use an Allen key to remove the screws on both sides of the hand dryer (fig. 2) and remove the cover. Use the mounting height guide and the installation template to mark and drill 4 Ø 8 mm holes at a depth of 35 mm.



6. Screw

(Fig.2)

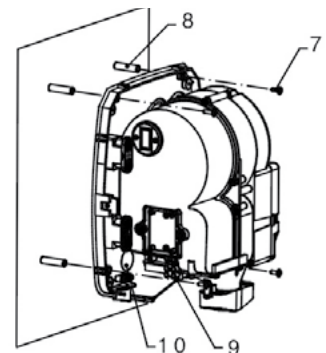
2. Fix the hand dryer backplane to the wall using appropriate fixings for the wall type.



Obstacle (Fig. 3)

3. Replace the cover and attach using the original screws.
4. To install with a concealed wire knock out the pre-cut hole in the backplate, remove the power cord, thread through the hole and connect to the corresponding terminals.

7. Screw
8. Plug
9. Wire terminal
10. Wire inlet



(Fig. 4)

Surface Mounted High Speed Hand Dryer

Operating Instructions and Parts Manual (Automatic)

Recommended Mounting Heights

From floor to bottom of dryer.

Men's	Ladies	Children, ages 11-17	Children, ages 3-10	Disabled
43"	41"	39"	33"	35"
109 cm	104 cm	99 cm	84 cm	89 cm

Intelligent Heating

The 3D Smart Dry automatically adjusts the heater depending on the ambient temperature of the air surrounding the dryer.

This means that in cold temperatures you have a comfortable hand drying experience and in the warmer weather you can reduce your energy consumption and save money.

Room Temp	Heater Power	Total Power
< 10°C	600 w	800 w
10 - 15°C	450 w	650 w
15 - 20°C	300 w	500 w
20 - 25°C	150 w	350 w
> 25°C	0 w	200 w

Cleaning and Maintenance

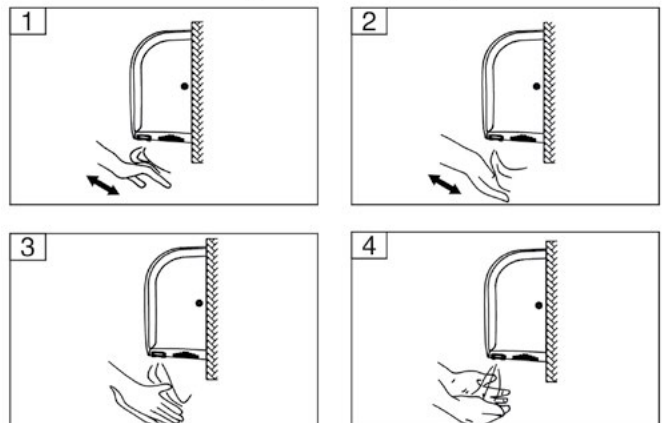
All surfaces of the unit should be cleaned daily with a soft cloth dampened with warm, soapy water. Polish with a soft dry cloth.

DO NOT use caustic solutions or abrasive cleaning materials on the drier.



Operation

- No touch operation.
- Shake excess water from hands.
- Place hands under the outlet, within 10 cm, to start operation.
- Move hands back and forth through the air jets
- Stops automatically after hands are removed, or after 60 seconds.



Surface Mounted High Speed Hand Dryer

Operating Instructions and Parts Manual (Automatic)

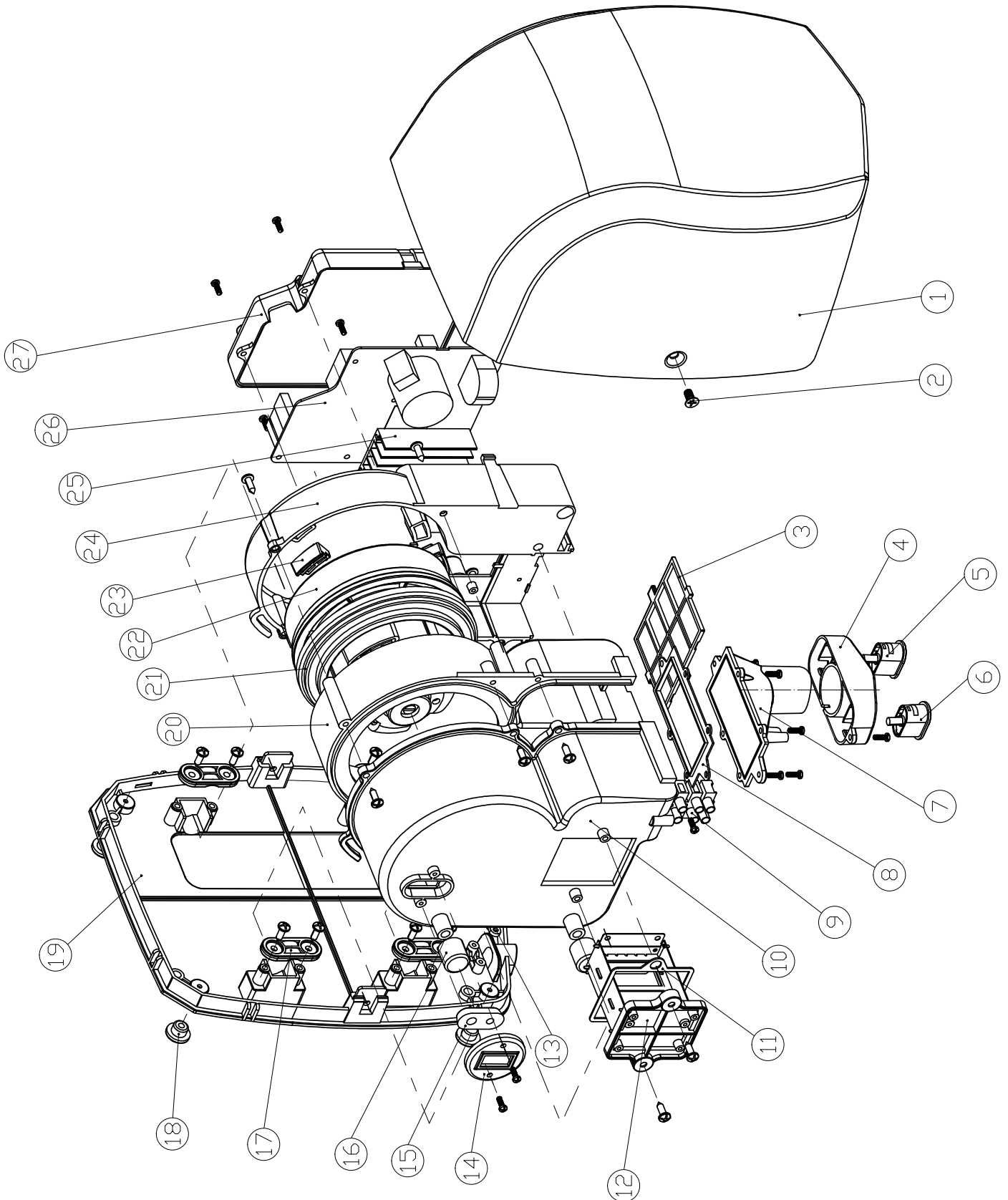
Parts List

Key	Description	Part No.
1	Cover	HDS-BSD03-3159-1
2	Screws	HDS-BSD03-3159-2
3	Filter cover	HDS-BSD03-3159-3
4	Sensor house	HDS-BSD03-3159-4
5	Sensor	HDS-BSD03-3159-5
6	LED	HDS-BSD03-3159-6
7	Air outlet baffle	HDS-BSD03-3159-7
8	Air outlet seal	HDS-BSD03-3159-8
9	Terminal block	HDS-BSD03-3159-9
10	Blower housing	HDS-BSD03-3159-10
11	Heating element seal	HDS-BSD03-3159-11
12	Heating element	HDS-BSD03-3159-12
13	Power cable clamp	HDS-BSD03-3159-13
14	Cable clamp	HDS-BSD03-3159-14
15	Cable seal	HDS-BSD03-3159-15
16	Shock absorber rubber	HDS-BSD03-3159-16
17	Fitting brush	HDS-BSD03-3159-17
18	Washer	HDS-BSD03-3159-18
19	Base plate	HDS-BSD03-3159-19
20	Motor fixing plate	HDS-BSD03-3159-20
21	Shock absorber ring	HDS-BSD03-3159-21
22	Motor	HDS-BSD03-3159-22
23	Compressing block	HDS-BSD03-3159-23
24	Air flue	HDS-BSD03-3159-24
25	Heat dissipation plate	HDS-BSD03-3159-25
26	Control PCB	HDS-BSD03-3159-26
27	PCB cover	HDS-BSD03-3159-27

Surface Mounted High Speed Hand Dryer

Operating Instructions and Parts Manual (Automatic)

Diagram



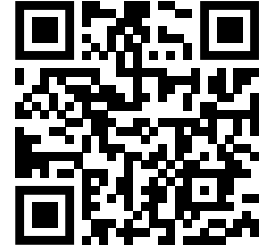
Surface Mounted High Speed Hand Dryer

Operating Instructions and Parts Manual (Automatic)

Warranty

Register your warranty:

[biodrier.com/register](https://www.biodrier.com/register)



What Warranty is offered with the Biodrier hand drier?

Warranty covers ON SITE repair/replacement during the first 3 years. From year number 4 to 5 the parts are covered (labour cost not included). After 5 years a Warranty for repair of individual parts is available (cost will be charged).

Terms and Conditions of the 5 year Warranty

- The Warranty becomes effective at the date of purchase (or the date of delivery if this is later).
- You must provide proof of delivery and/or purchase before any work is carried out on your machine. Without this proof, any work carried out will be chargeable. Please keep your receipt or delivery note.
- All work will be carried out by FW3 Ltd.
- Any parts which are replaced under Warranty terms will become the property of FW3 Ltd.
- The repair or replacement of your machine under warranty will not extend the period of Warranty.
- The Warranty provides benefits which are additional to and do not affect your statutory rights as a consumer.
- * On site repair/replacement England & Wales only. Scotland & N. Ireland return to manufacturer.

What is covered by the Warranty?

The repair or replacement of your Biodrier hand dryer, if it is found to be defective due to faulty materials, workmanship or function within the Warranty period. Please note that the decision to repair or replace your machine is at the sole discretion of FW3 Ltd. If any part is no longer available or out of manufacture, FW3 Ltd will replace it with a functional replacement part.

What is not covered by the Warranty?

FW3 Ltd does not warrant the repair or replacement of a product as a result of:

- Normal wear and tear of carbon brushes (if applicable) and normal wear and tear.
- Accidental damage, faults caused by negligent use or care, misuse, vandalism, neglect, careless operation or handling of the machine which is not in use as stated in the installation and maintenance guide, misuse, accidents, fire, floods or other acts of God. In these cases Warranty will be considered void.
- Use of parts not assembled or installed in accordance with the instructions of Biodrier.
- Use of parts and accessories which are not Biodrier Genuine Components.
- Faulty installation (except where installed by FW3 Ltd).
- Repairs or alterations carried out by parties other than FW3 Ltd or its authorised agents will void the Warranty.
- Warranty terms and conditions cannot be modified or extended by third parties.



Biodrier. com

FW3

FW3 LTD, Biodrier
Unit 3, Woodlands Business Park, Burlescombe, Devon, EX16 7LL
tel: +44 (0) 800 328 5708 • email: sales@biodrier.com

