



infratap

FIXED & ADJUSTABLE TEMPERATURE
AUTOMATIC TAPS



The Benefits Of An Automatic Tap

✓ Use Less Water

Automatic taps can save up to 70% of the water that is washed down the plug hole, saving on money and resources.

✓ Eliminate Accidents

Our taps automatically turn off when hands are removed from the sensor range or after one minute, reducing the risk of sink overflow and water waste from the taps being left on, whether deliberate or accidental.

✓ Increase Hygiene

Washroom hygiene benefits greatly from touch free taps. Eliminating the need to touch the tap to turn it on or off means clean hands do not come into contact with any bacteria and germs.

✓ Simple to Use

They are easy and intuitive to use, adults and children can operate them without instruction.

✓ Easy On Painful Hands

Automatic taps are great for people that have problems with their hands, such as arthritis.

✓ Controlled Temperature

Our fix flow taps have a set water temperature that you can control, so there is no chance of being scalded.

Fixed & Adjustable Temperature Taps

Fixflow

The Fixflow range of automatic taps are specifically designed to be installed at a preset temperature, controlled by a mixer valve or thermostatic regulator ensuring a constant controlled temperature every time the tap is activated. Ideal for public and commercial washrooms.



Easyflow

The Easyflow range of thermo controlled taps are supplied with an adjustable thermostatic control at the base of each tap, allowing the user to control the temperature. Ideal for domestic use.



Infratap Fixflow



The Fixflow range of automatic taps are specifically designed to be installed at a preset temperature, controlled by a thermostatic regulator (supplied) ensuring a constant controlled temperature every time the tap is activated. Ideal for public and commercial washrooms.

Fixflow Features

Control:

Designed with SCM. Stops water automatically when water flow exceeds 1 minute.

Adjustable distance:

Easily adjustable sensor range.

Strainer device:

Strainer can be removed and cleaned to prevent blocking

Anti-blocking needle:

The solenoid valve is protected by an anti-blocking needle inside

Technical Specifications

Operating Pressure: 1.0 - 8.0 bar (14.5 - 116 PS)

Maximum Water Temperature: 70°C

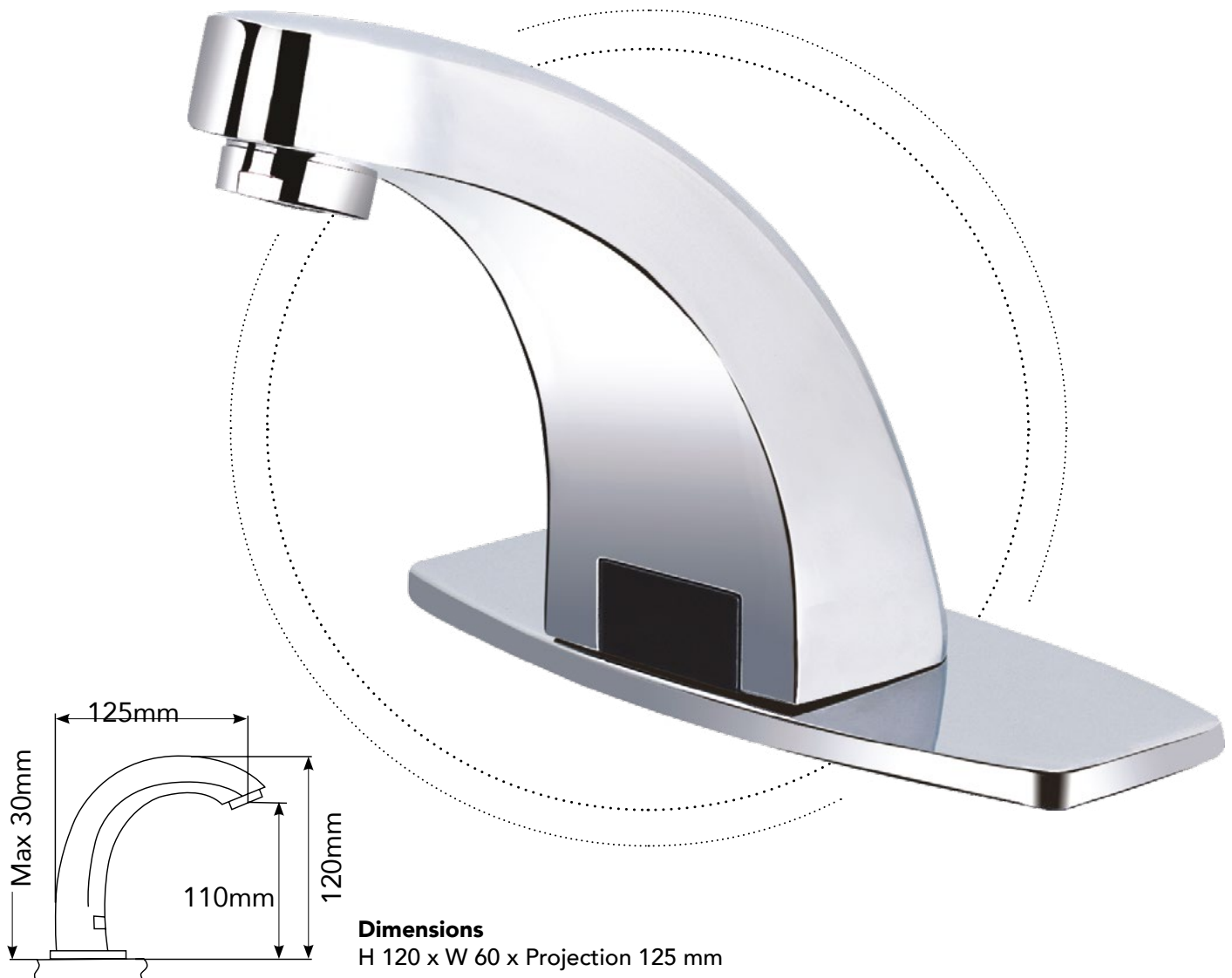
Water Supply: 1/2" BSP

Capacity: 6 volts

Power Supply: 4 x AA Batteries or 240V mains transformer 6V DC

Thermostatic Mixing Valve sold separately.

WR-ZY-822D



Infratap Fixflow



The Fixflow range of automatic taps are specifically designed to be installed at a preset temperature, controlled by a thermostatic regulator (supplied) ensuring a constant controlled temperature every time the tap is activated. Ideal for public and commercial washrooms.

Fixflow Features

Control:

Designed with SCM. Stops water automatically when water flow exceeds 1 minute.

Adjustable distance:

Easily adjustable sensor range.

Strainer device:

Strainer can be removed and cleaned to prevent blocking

Anti-blocking needle:

The solenoid valve is protected by an anti-blocking needle inside

Technical Specifications

Operating Pressure: 1.0 - 8.0 bar (14.5 - 116 PS)

Maximum Water Temperature: 70°C

Water Supply: 1/2" BSP

Capacity: 6 volts

Power Supply: 4 x AA Batteries or 240V mains transformer 6V DC

Thermostatic Mixing Valve sold separately.

WR-ZY-814D



Infratap Fixflow



The Fixflow range of automatic taps are specifically designed to be installed at a preset temperature, controlled by a thermostatic regulator (supplied) ensuring a constant controlled temperature every time the tap is activated. Ideal for public and commercial washrooms.

Fixflow Features

Control:

Designed with SCM. Stops water automatically when water flow exceeds 1 minute.

Adjustable distance:

Easily adjustable sensor range.

Strainer device:

Strainer can be removed and cleaned to prevent blocking

Anti-blocking needle:

The solenoid valve is protected by an anti-blocking needle inside

Technical Specifications

Operating Pressure: 1.0 - 8.0 bar (14.5 - 116 PS)

Maximum Water Temperature: 60°C

Water Supply: 1/2" BSP

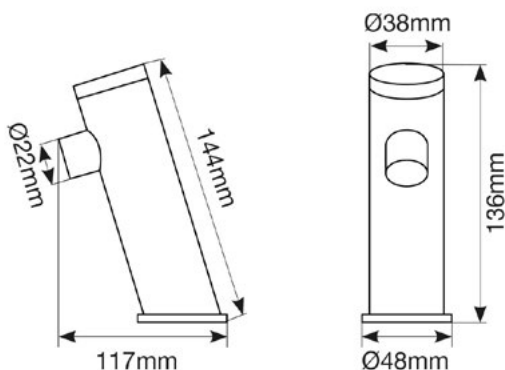
Capacity: 6 volts

Power Supply: AC220V/50Hz or DC6V

(4pcs AA alkaline batteries); also can be operated by AC220V with battery backup (for controller #1 only).

Thermostatic Mixing Valve sold separately.

WR-ZY-8120AD



Dimensions

H 136 x Projection 117 x W 48 mm

Infratap Fixflow



The Fixflow range of automatic taps are specifically designed to be installed at a preset temperature, controlled by a thermostatic regulator (supplied) ensuring a constant controlled temperature every time the tap is activated. Ideal for public and commercial washrooms.

Fixflow Features

Control:

Designed with SCM. Stops water automatically when water flow exceeds 1 minute.

Adjustable distance:

Easily adjustable sensor range.

Strainer device:

Strainer can be removed and cleaned to prevent blocking

Anti-blocking needle:

The solenoid valve is protected by an anti-blocking needle inside

Technical Specifications

Operating Pressure: 1.0 - 8.0 bar (14.5 - 116 PS)

Maximum Water Temperature: 70°C

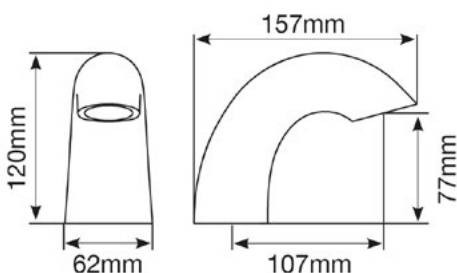
Water Supply: 1/2" BSP

Capacity: 6 volts

Power Supply: 4 x AA Batteries or 240V mains transformer 6V DC

Thermostatic Mixing Valve sold separately.

WR-ZY-8110D



Dimensions

H 120 x Projection 157 x W 62 mm

Infratap Fixflow



The Fixflow range of automatic taps are specifically designed to be installed at a preset temperature, controlled by a thermostatic regulator (supplied) ensuring a constant controlled temperature every time the tap is activated. Ideal for public and commercial washrooms.

Fixflow Features

Control:

Designed with SCM. Stops water automatically when water flow exceeds 1 minute.

Adjustable distance:

Easily adjustable sensor range.

Strainer device:

Strainer can be removed and cleaned to prevent blocking

Anti-blocking needle:

The solenoid valve is protected by an anti-blocking needle inside

Technical Specifications

Operating Pressure: 1.0 - 8.0 bar (14.5 - 116 PS)

Maximum Water Temperature: 70°C

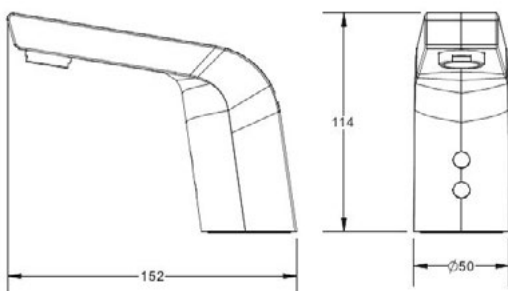
Water Supply: 1/2" BSP

Capacity: 6 volts

Power Supply: 4 x AA Batteries or 240V mains transformer 6V DC

Thermostatic Mixing Valve sold separately.

WR-ZY-8155D



Dimensions

H 114 x Ø50 x Projection 152 mm

Infratap Fixflow



The Fixflow range of automatic taps are specifically designed to be installed at a preset temperature, controlled by a thermostatic regulator (supplied) ensuring a constant controlled temperature every time the tap is activated. Ideal for public and commercial washrooms.

Fixflow Features

Control:

Designed with SCM. Stops water automatically when water flow exceeds 1 minute.

Adjustable distance:

Easily adjustable sensor range.

Strainer device:

Strainer can be removed and cleaned to prevent blocking

Anti-blocking needle:

The solenoid valve is protected by an anti-blocking needle inside

Technical Specifications

Operating Pressure: 1.0 - 8.0 bar (14.5 - 116 PS)

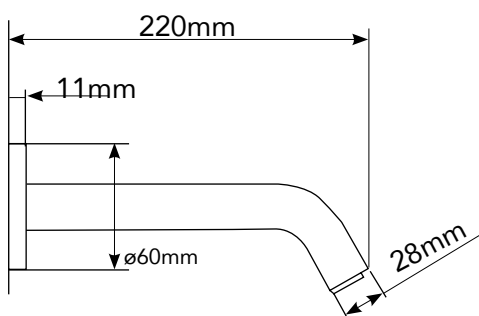
Maximum Water Temperature: 70°C

Water Supply: 1/2" BSP

Capacity: 6 volts

Power Supply: 240V mains transformer 6V DC

WR-ZY-8131A



Dimensions

Base Ø60 x Tap body Ø28 x Projection 220mm

Infratap Easyflow



The Easyflow range of thermo controlled taps are supplied with thermostatic control at the base of each tap, allowing the user to control the temperature. Ideal for domestic use.

Easyflow Features

Control:

Designed with SCM. Stops water automatically when water flow exceeds 1 minute.

Adjustable distance:

Easily adjustable sensor range.

Strainer device:

Strainer can be removed and cleaned to prevent blocking

Anti-blocking needle:

The solenoid valve is protected by an anti-blocking needle inside

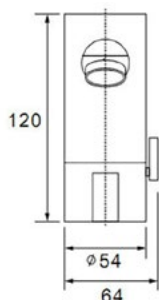
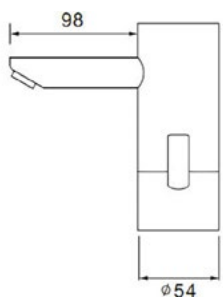
Technical Specifications

Operating Pressure: 1.0 - 8.0 bar (14.5 - 116 PS)

Maximum Water Temperature: 70°C

Water Supply: 1/2" BSP

WR-ZY-8804D



Dimensions

H 120 x ϕ 50 x Projection 98 mm

Infratap Easyflow



The Easyflow range of thermo controlled taps are supplied with thermostatic control at the base of each tap, allowing the user to control the temperature. Ideal for domestic use.

Easyflow Features

Control:

Designed with SCM. Stops water automatically when water flow exceeds 1 minute.

Adjustable distance:

Easily adjustable sensor range.

Strainer device:

Strainer can be removed and cleaned to prevent blocking

Anti-blocking needle:

The solenoid valve is protected by an anti-blocking needle inside

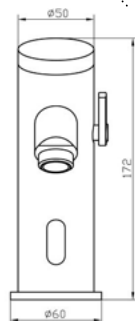
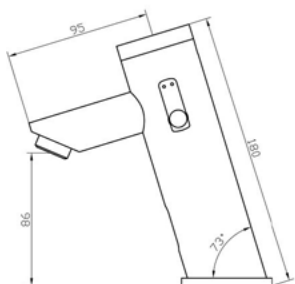
Technical Specifications

Operating Pressure: 1.0 - 8.0 bar (14.5 - 116 PS)

Maximum Water Temperature: 70°C

Water Supply: 1/2" BSP

WR-ZY-8907D



Dimensions

H 172 x \varnothing 50 x Projection 95 mm

Infratap Easyflow



The Easyflow range of thermo controlled taps are supplied with thermostatic control at the base of each tap, allowing the user to control the temperature. Ideal for domestic use.

Easyflow Features

Control:

Designed with SCM. Stops water automatically when water flow exceeds 1 minute.

Adjustable distance:

Easily adjustable sensor range.

Strainer device:

Strainer can be removed and cleaned to prevent blocking

Anti-blocking needle:

The solenoid valve is protected by an anti-blocking needle inside

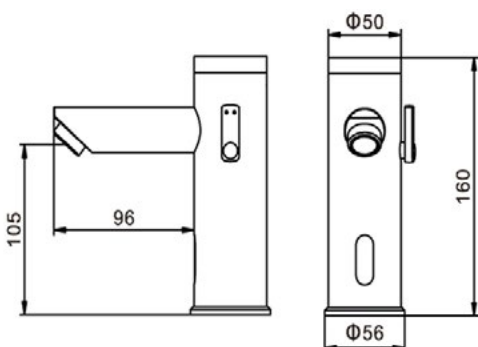
Technical Specifications

Operating Pressure: 1.0 - 8.0 bar (14.5 - 116 PS)

Maximum Water Temperature: 70°C

Water Supply: 1/2" BSP

WR-ZY-8904D



Dimensions

H 160 x Ø 50 x Projection 96 mm

Infratap Calder



Sensor and manual tap combined.

Sensor and manual modes can be easily switched with a button below the sensor.

Features

Adjustable distance:

Easily adjustable sensor range.

High quality:

Supremely accurate machining process with precise surface finish.

Automatic stop:

Stops water automatically when water flow exceeds 1 minute.

Technical Specifications

Applicable Water Pressure: 0.05 - 0.7 MPa

Maximum Water Temperature: 75°C

Water Supply: 1/2" BSP

Maximum Flow of Manual Valve: 12L/min

Sensing Distance of Induction Valve: 5-20cm Adjustable

Power Supply:

Type A: 100-240V AC 50/60Hz

Type B: 3xAA Alkaline Batteries

WR-ZY-8979



Dimensions

H 145 x Ø 55 x Projection 152 mm

WR-6V-ADAPT-80CM

Step-Down Transformer

Details

Infrataps step-down transformer is an electrical device that is used to step down voltage from high to low, it changes the voltage in alternating current (AC) electrical circuits.

The potential energy can be readily changed from 100-240 VAC to a lower voltage of 6.5 VDC through the use of a transformer.



Mixing Valves

When you buy any automatic tap with 'single' supply, there's a chance you will need a thermostatic control to regulate hot and cold water supply. A Mixing Valve is a device that mix or blends hot water (usually stored at temperatures high enough to kill bacteria) with cold water to ensure constant, safe outlet temperatures preventing scalding.

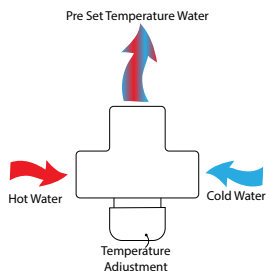
WR-ABV-0012

Manual Mixing Valve

Details

Infrataps manual blending mixing valve is a device that's required to be turned manually in order to mix or blends hot and cold water.

It has manual adjustment control that gives the user the ability to manually adjust the temperature as desired.



PLEASE NOTE:

ABV-0012 mixing valve is not automatic, and it requires the user to manually adjust the temperature by turning the knob to required or safe temperature.

Inlet: 1/2 Inch (Male)

Outlet: 1/2 Inch (Female)



WR-ZY-HW-01

Thermostatic Mixing Valve

Details

Infratap's WR-ZY-HW-01 has a thermostat built-in which maintains temperature by adjusting the flow of each hot and cold supply. When water begins to get colder, the thermostatic valve will automatically reduce the flow of cold water to compensate. This is particularly useful in guarding against the possibility of scalding injuries.

Technical Parameters:

Default factory temperature setting: 38°

Maximum temperature: 85°

Water pressure: 1-5 Bar

Maximum water pressure: 8 Bar

